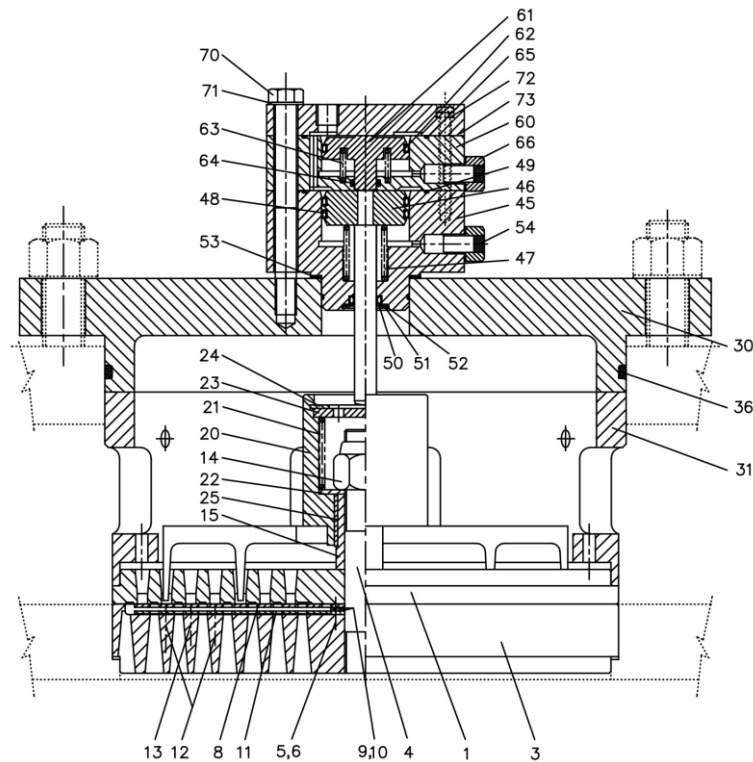


70469820 - VALVE INLET WITH U/L



No.	Description	Ref Part No.	QTY
-	VALVE INLET WITH U/L	70469820	-
31	- CAGE	17271750	1
36	- O-RING	17271792	1
-	- VALVE INLET W/UNL 268K	17272006	1
-	- - VALVE INLET 268K	17272014	1
1	- - - SEAT SUCTION 268K	17268707	1
-	- - - ASSEMBLY GUARD INLET 268KG	17268715	1
5	- - - - PIN LOCATING	17271701	1
3	- - - - GUARD INLET 268K	17272022	1
4	- - - - BOLT CENTER 1414	17272030	1
-	- - - - BOLT LOCK	33055138	1
6	- - - - PIN LOCATING	37054608	1
8	- - - PLATE VALVE 268K	17268723	1
11	- - - PLATE DAMPING 268KG	17268731	1
9	- - - WASHER LIFT	17271719	1
10	- - - WASHER LIFT	17271727	1
14	- - - LOCKNUT 1414	17271735	1
15	- - - GUIDE BUSHING	17272048	1

All manufacturer's names, numbers, photos, product description and/or part numbers are used for reference purposes only & it is not implied that any part listed is the product of these manufacturers. Since Approvement are made from time to time, the illustration and specifications are subject to change without notice.

70469820 - VALVE INLET WITH U/L

No.	Description	Ref Part No.	QTY
13	--- SPRING CLOSING	33426115	4
12	--- SPRING	33426966	16
-	-- ASSEMBLY UNLOADER DT7	17272055	1
20	--- UNLOADER DT7	17272063	1
21	--- SPRING RECOIL	17272097	1
22	--- WASHER	17272105	1
23	--- COVER UNLOADER D7	17272113	1
24	--- RING LOCK	17272121	1
25	--- BUSHING	17272139	1
30	- COVER	17272188	1